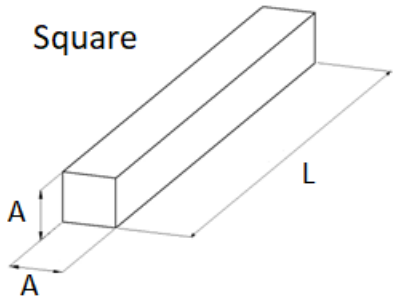
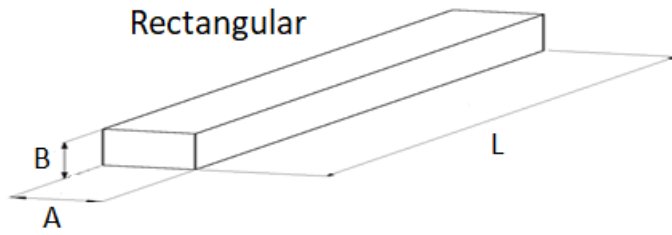


INVESTMENT CASTING MOLD SUPPORT RODS AND CROSS

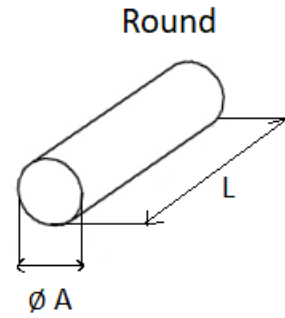
1902 - 2022 120 YEARS



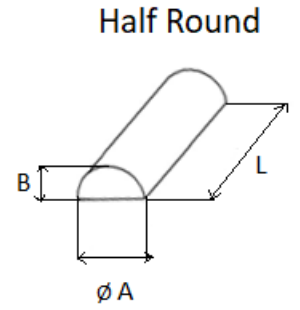
Square



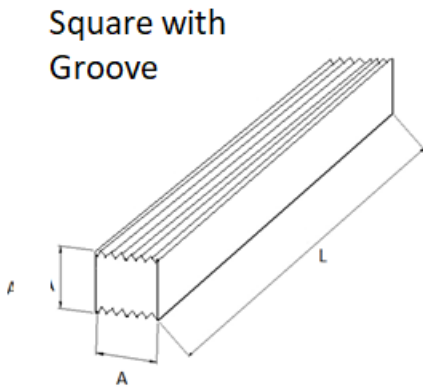
Rectangular



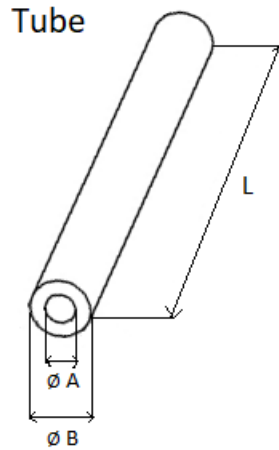
Round



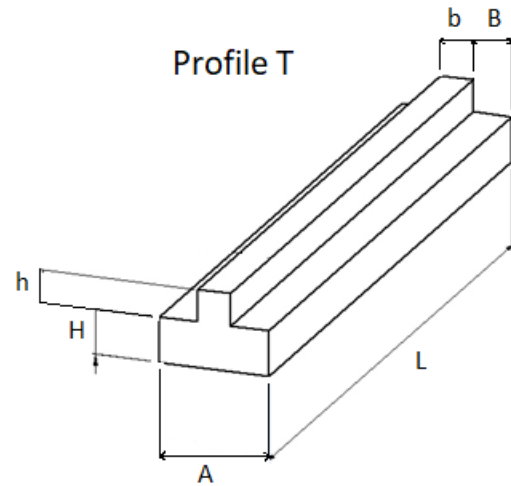
Half Round



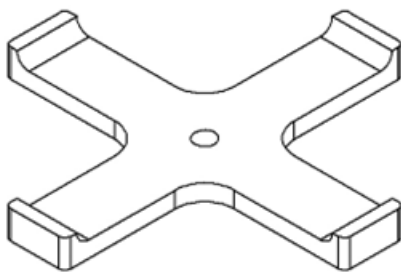
Square with Groove



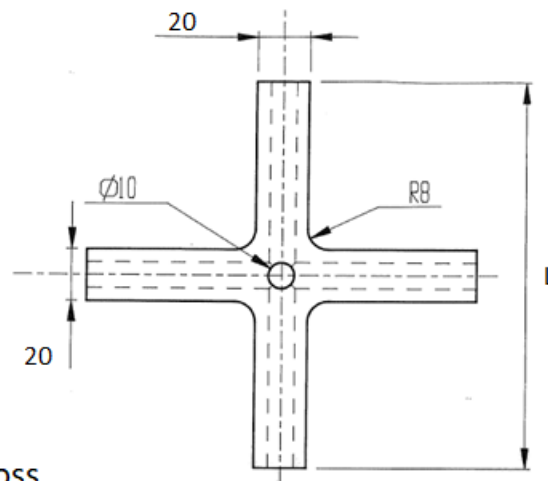
Tube



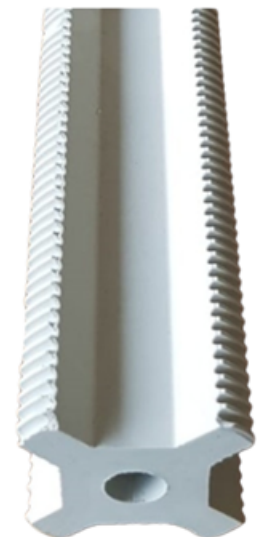
Profile T



Support Cross



L = 150 / L = 190



Profile X

FAUCHON
REFRACTAIRES
BAUDOT

eicf european investment casters' federation

This is to certify

Fauchon-Baudot Refractories

is a MEMBER of the

European Investment Casters' Federation

For the year 2022

CHAIRMAN

Virgilio Oliveira

Virgilio Oliveira

